

ES-0804C-M12

12 Port M12 Industrial Unmanaged Gigabit Ethernet Switch



- Compliant with EN50155
- 8x 10/100T(x) M12 connector with IEEE 802.3at PoE+
- 4x 10/100/1000T(x) M12 connector with relay bypass
- Support Bypass function for non-stop communication even when no power exists
- Built for harsh environments and wide temperature range application
- IP40/IP54(Optional) housing
- Isolated redundant PoE power 190W



Specifications

Technology

Standard

IEEE 802.3 10BaseT
IEEE 802.3u 100BaseTX

IEEE 802.3ab 1000BaseT
IEEE 802.3af Power over Ethernet

IEEE 802.3at PoE+

Processing Type

Store and Forward

Switch properties

Priority Queues	-	Packet Buffer	4Mbits
Jumbo Frame	-	Switch Fabric	96Gbps
MAC Table Size	8K		

Interface

Network Redundancy	8x 10/100T(x) M12 Female D-coded 4-pole with PoE+, 4x 10/100/1000T(x) M12 Female X-coded 8-pole, auto negotiation speed duplex mode, auto MDI/MDI-X	LED Indicators	Per unit: PWR1, PWR2, Status Ports: Link /Active with highest speed(Green), low speed(Amber) PoE: Output Power
--------------------	---	----------------	--

Power Requirements

Operation Voltage	24VDC, 48VDC, HV: 72-110VDC, redundant dual inputs	Protection	Overload Current Protected, Reverse Polarity Protected
Connection	M12 Male S-coded 4-pole	PoE Power Budget	Max. 30 W per PoE port. Max. total output power for PD: 165W@24V input (normal temp.); 75W@24V input (75°C)
Power Consumption	15W without PDs' consumption		

ES-0804C-M12

12 Port M12 Industrial Unmanaged Gigabit Ethernet Switch

Mechanical Construction

Enclosure	SECC	Weight	1.20 kg
Protection Class	IP40/IP54(Optional)	Mounting	DIN-Rail Mounting, Optional Wall Mounting Kits
Dimensions	181x99x94 mm (WxHxD)		

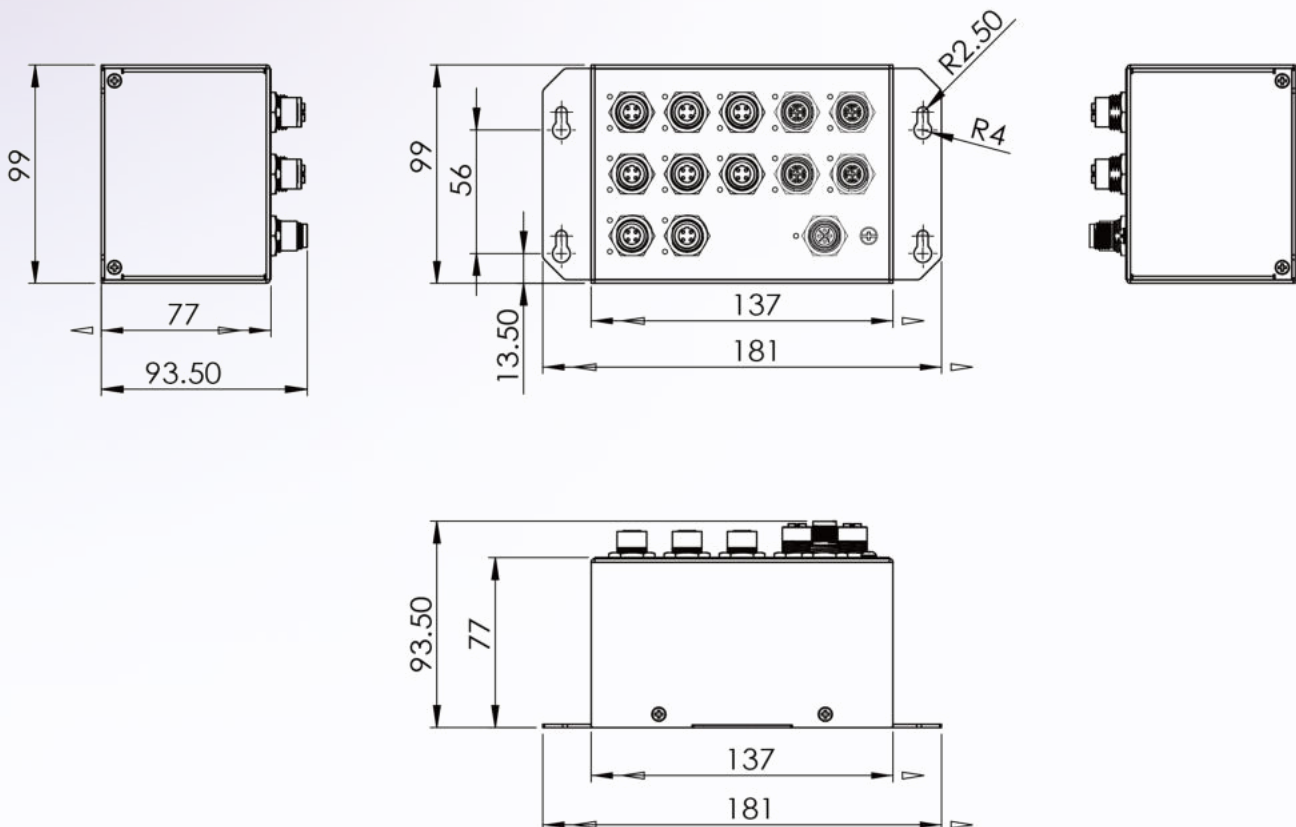
Environmental Limits

Operating Temperature	Extended: -40°C ~ 75°C (-40°F ~ 167°F) For 10G SFP+: -40 ~ 60°C (32°F ~ 140°F)	Ambient Relative Humidity	5 to 95%, (Non-Condensing)
Storage Temperature	-40°C ~ 85°C (-40°F ~ 185°F)		

Regulatory Approvals

EMI	FCC Part 15 Subpart B Class A CE EN 55032 Class A	Shock	IEC60068-2-27
EMS	IEC61000-4-2 (ESD) IEC61000-4-3 (RS) IEC61000-4-4 (EFT) IEC61000-4-5 (Surge) IEC61000-4-6 (CS) IEC61000-4-8 (Magnetic Field)	Vibration	IEC60068-2-6
Free Fall	IEC60068-2-32	Green	RoHS Compliant
		Certifications	EN 50155 EN 45545-2
		MTBF	>100,000 hours
		Warranty	5 Years

Dimensions (unit = mm)



Ordering Information

Available Models

ES-0804C-M12-LVU-TX 12 Port M12 Industrial Unmanaged Gigabit Ethernet Switch
- 8x 10/100T(x) + 4x 10/100/1000T(x) M12 connector
- Power Input: 24-48VDC
- Operating Temperature: -40°C ~ 75°C (-40°F ~ 167°F)
- Protection Class: IP40
- UL Compliant
- ITxPT Compliant

ES-0804C-M12-LVU-WT 12 Port M12 Industrial Unmanaged Gigabit Ethernet Switch
- 8x 10/100T(x) + 4x 10/100/1000T(x) M12 connector
- Power Input: 24-48VDC
- Operating Temperature: -40°C ~ 75°C (-40°F ~ 167°F)
- Protection Class: IP54
- UL Compliant

ES-0804C-M12-HVU-WT 12 Port M12 Industrial Unmanaged Gigabit Ethernet Switch
- 8x 10/100T(x) + 4x 10/100/1000T(x) M12 connector
- Power Input: 72-110VDC
- Operating Temperature: -40°C ~ 75°C (-40°F ~ 167°F)
- Protection Class: IP54
- UL Compliant

ES-0804C-M12-LVU-T 12 Port M12 Industrial Unmanaged Gigabit Ethernet Switch
- 8x 10/100T(x) + 4x 10/100/1000T(x) M12 connector
- Power Input: 24-48VDC
- Operating Temperature: -40°C ~ 75°C (-40°F ~ 167°F)
- Protection Class: IP40
- UL Compliant

ES-0804C-M12-HVU-T 12 Port M12 Industrial Unmanaged Gigabit Ethernet Switch
- 8x 10/100T(x) + 4x 10/100/1000T(x) M12 connector
- Power Input: 72-110VDC
- Operating Temperature: -40°C ~ 75°C (-40°F ~ 167°F)
- Protection Class: IP40
- UL Compliant